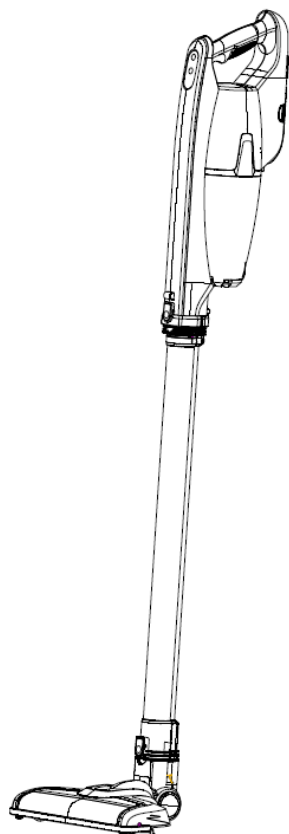


# aiwa

## User Guide

AR-1201



AR1201 22.2V 120W

Aiwa Electronics International Co., Ltd.

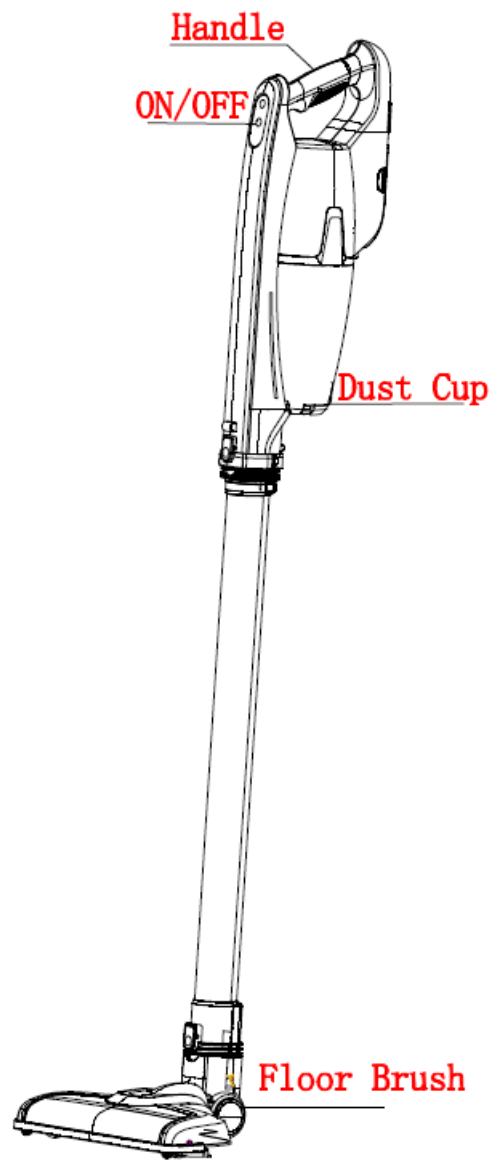
## **IMPORTANT SAFETY INSTRUCTIONS**

When using an electrical appliance, basic precaution should always be followed, including the following:

### **READ ALL INSTRUCTIONS BEFORE USING (THIS APPLIANCE)**

**WARNING-**To reduce the risk of fire, electric shock, or injury:

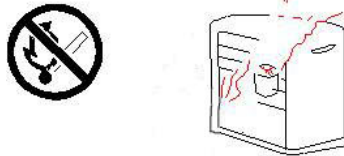
1. Do not leave vacuum cleaner when plugged in. Unplug from outlet when no use and before servicing.
2. To reduce the risk of electric shock, do not use outdoors or on wet surfaces
3. Do not allow to be used as a toy. Close attention is necessary when used by near children.
4. Use only as described in this manual. Use only manufacturers recommend attachments.
5. Do not use with damaged cord or plug. If vacuum cleaner is not working as it should, has been dropped, damaged, left outdoors, or dropped into water, enter it to a service center.
6. Do not pull or carry on cord, use cord as a handle, close door on cord, or pull cord around sharp edges or corners. Do not run vacuum cleaner over cord. Keep cord away from heated surfaces.
7. Do not unplug by pulling on cord. To unplug, grasp the plug, not the cord.
8. Do not handle plug or vacuum cleaner with wet hands.
9. Do not put any object into openings. Do not use with any opening blocked. Keep free of dust, lint, hair and anything that may reduce airflow.
- 10.Keep hair, loose clothing, fingers and all parts of body away from openings and moving parts.
- 11.Turn all controls off before unplugging.
- 12.Use extra care when cleaning on stairs.
- 13.Do not use to pick up flammable or combustible liquids, such as gasoline, or use in areas where they may be present
- 14.Hold plug when rewinding onto cord reel. Do not allow plug to whip when rewinding.
- 15.Unplug before connecting the hose
- 16.Do not pick up anything that is burning or smoking, such as cigarettes, matches, or hot ashes.
- 17.Do not use without dust bag and/or filter in place.
- 18.If the supply cord is damaged, it must be replaced by the manufacturer or its service agent or a similarly qualified person in order to avoid a hazard.



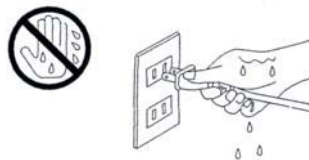
## Precautionary Measures

**Important:** If the suction opening in the unit or the hose is **blocked**, switch off the vacuum cleaner and remove the blocking substance before you start the unit again.

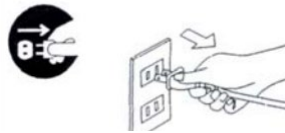
1. **Do not** operate the vacuum cleaner too close to heaters, radiators or cigarette butts.



2. Before inserting the power plug into the wall outlet, make sure that your hands are dry.



3. Before you start vacuuming, make sure to remove large or sharp objects that might damage the dust cup filter.
4. When pulling out the power plug from the wall outlet, pull the plug not the power cord.

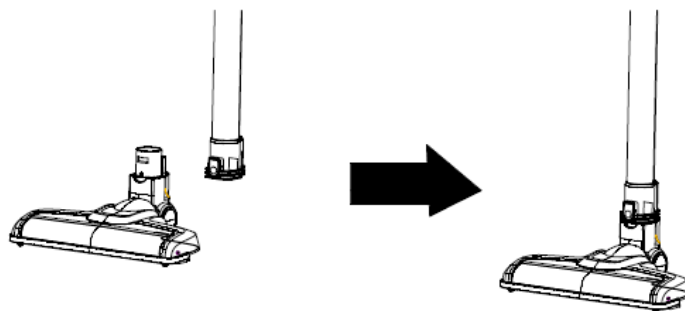


5. **Do not** pick up anything that is burning or smoking such as cigarettes, matches or hot ashes.
6. **Do not** use without dust cup filter in place

## Operating Instructions

### Using the Unit as an Upright

- 1 Put the floor brush to the body



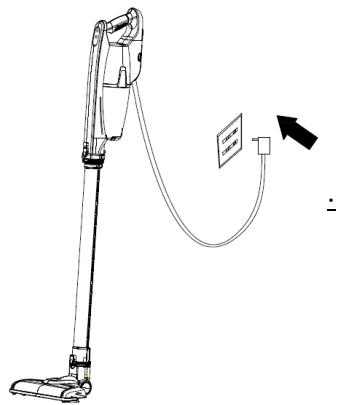
- 2 Make the handle upright and locked



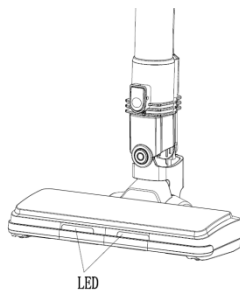
3 Press the ON/OFF button to switch the appliance on.



4 Rewind the power cord to the cord hook after using

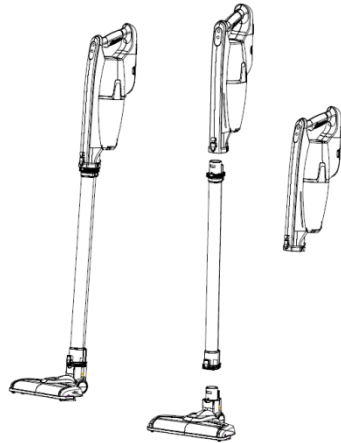


5 When the machine is running, the LED is bright.



### Using the Unit as a Hand Vacuum

Push the handy release button, and take out the handy unit.

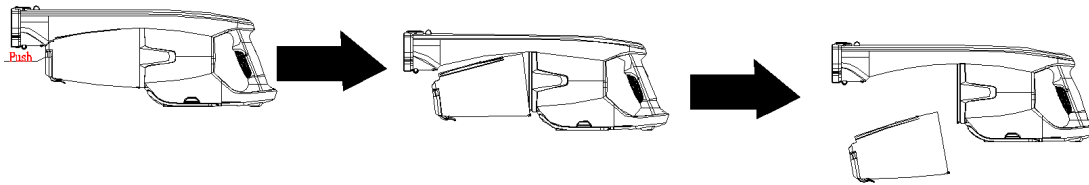


## Cleaning & Changing the Dust Cup Filter

### Changing and Cleaning the Dust Cup Filter

In order to achieve the best performance, empty the dust cup container and clean the dust cup filter after each use.

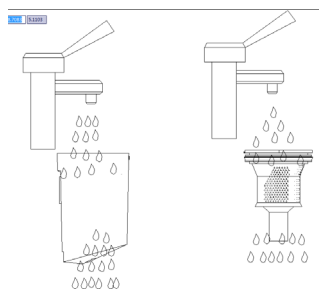
1. To remove the dust cup container, press down on the dust cup container release button and separate the dust cup container from the main unit.



2. Pull out the dust cup filter.



3. Empty the dust from the dust cup container.
4. Rinse the dust cup filter in cold water, and then let it air dry before replacing it back in the dust cup container.



**Important Note: DO NOT use a washing machine to clean the dust cup filter. Do not use a hair dryer to dry it. AIR DRY ONLY.**

5. Replace the dust cup filter carefully into the dust cup compartment. **NEVER operate the stick vac without the dust cup filter in place.**
6. Attach the dust cup container to the main body of the unit.

**Note:** It is recommended that the dust cup filter be replaced every three (3) months (depending on usage) to ensure peak performance of the unit.

The Dust Cup Filter is washable. It should, however, be replaced every three (3) months (depending on usage) to ensure peak performance of your vacuum.