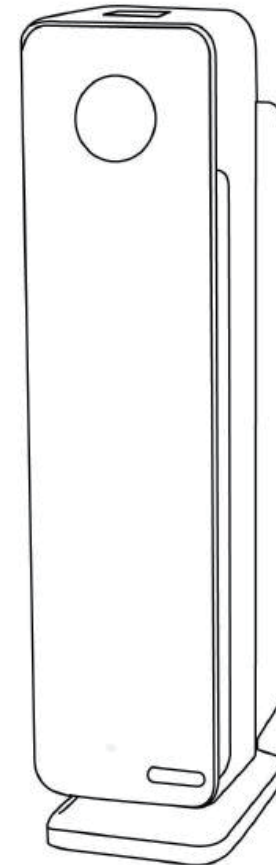


# aiwa AIR PURIFIER

Model No: APA700



## READ AND SAVE THESE INSTRUCTIONS

### WARNINGS

**Failure to comply with the warnings listed below may result in electric shock or serious injury.**



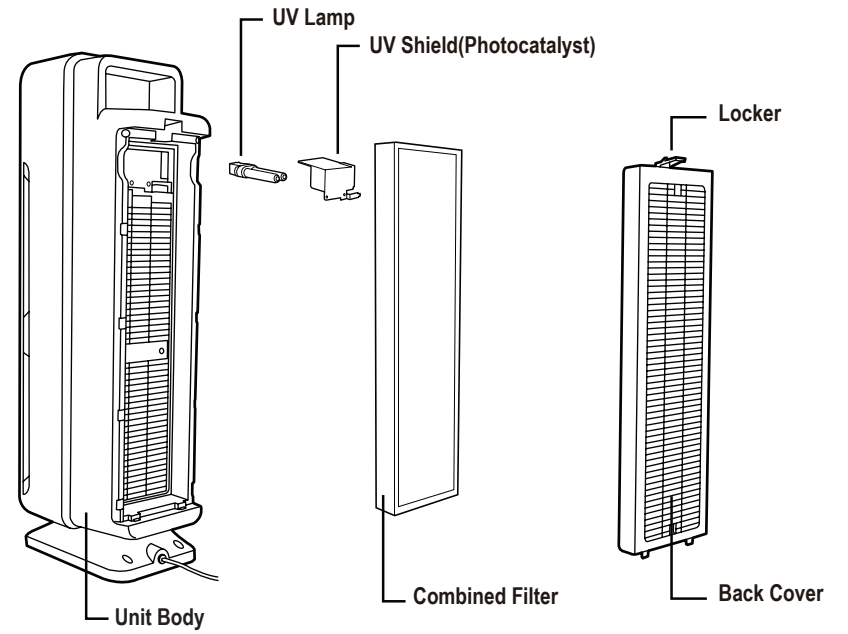
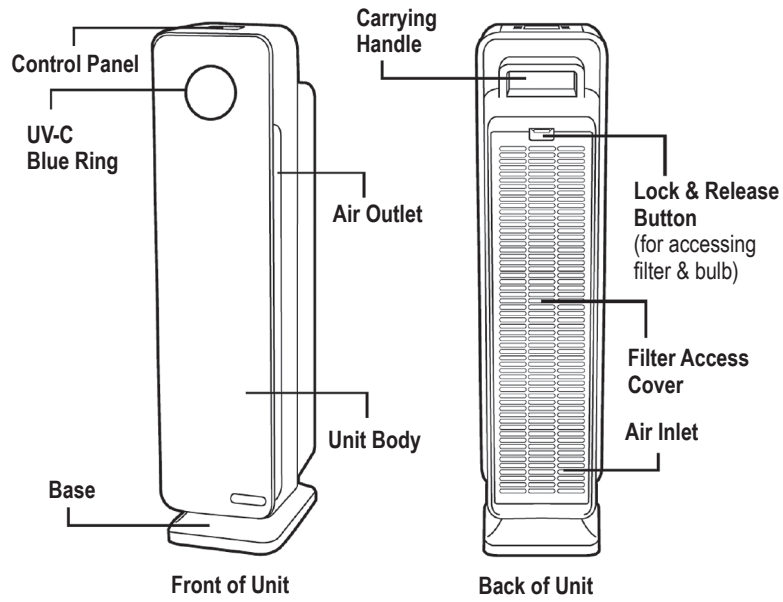
This product should be used only in accordance with the specifications outlined in this manual. Usage other than what has been specified here may result in serious injury.

When using electrical appliances, basic precautions should always be followed to reduce the risk of fire, electric shock and injury to persons, including the following:

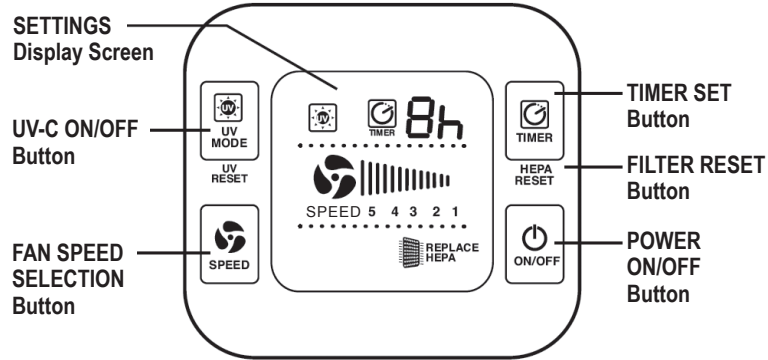
- Read all instructions before using appliance.
- To avoid fire or shock hazard, plug the appliance directly into a 110V AC electrical outlet.
- Keep the cord out of heavy traffic areas. To avoid fire hazard, NEVER put the cord under rugs, near heat registers, radiator, stoves or heaters.
- To protect against electrical hazards, DO NOT immerse in water or other liquids. Do not use near water.
- Children cannot recognize the hazards associated with the usage of electrical appliances. For this reason, always supervise children when they are near the unit.
- Always unplug the air purifier before moving it, opening the grill, changing filters, cleaning or whenever the air purifier is not in use. Be sure to pull by the plug and not the cord.
- NEVER drop or insert any object into any openings.
- DO NOT run cord under carpeting.
- DO NOT cover cord with throw rugs, runners, or similar coverings.
- DO NOT route cord under furniture or appliances. Arrange cord away from traffic area and where it will not be tripped over.
- DO NOT operate any appliance with a damaged cord or plug, if motor fan fails to rotate, after the appliance malfunctions, or if it has been dropped or damaged in any manner.
- Use appliance only for intended household use as described in this manual. Any other use not recommended by the manufacturer may cause fire, electric shock or injury to persons.
- DO NOT use outdoors.
- DO NOT place anything on top of unit.
- NEVER block the air openings, grills/outlets or place on a soft surface such as a bed or sofa, as this could cause the unit to tip over, blocking the air intake or outtake opening.
- DO NOT attempt to repair or adjust any electrical or mechanical functions on this unit. Doing so will void your warranty. The inside of the unit contains no user serviceable parts. All servicing should be performed by qualified personnel only.

- **WARNING:** To reduce the risk of fire or electric shock, do not use this fan with any solid-state speed control device.
- **WARNING:** Skin or eye damage may result from directly viewing the light produced by the lamp in this apparatus. Always disconnect power before replacing lamp or servicing.
- Always unplug the unit before before cleaning or servicing in any way.
- **CAUTION:** Do NOT use gasoline, benzene, thinner, harsh cleaners, etc. on and/or in the unit while cleaning as they will damage the product. NEVER use alcohol or other solvents.

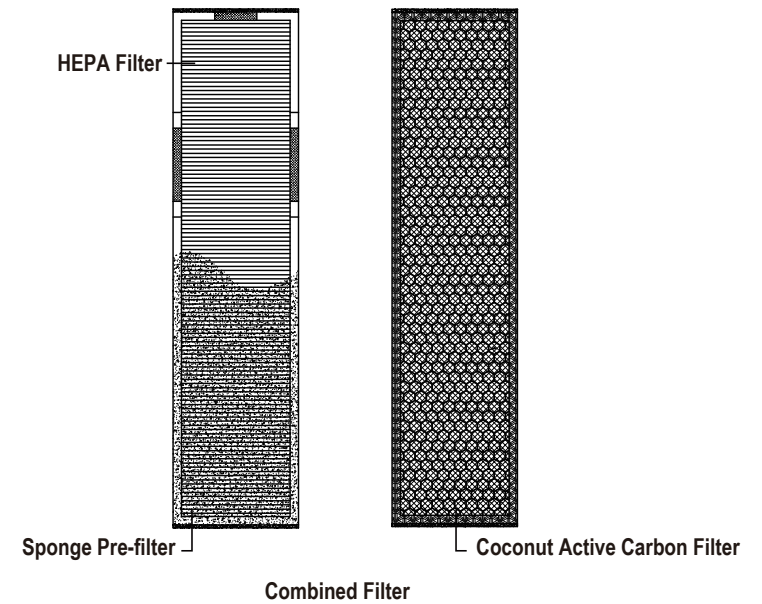
# PRODUCT SPECIFICATIONS AND PARTS



# CONTROLS



Combined Filter Side A Combined Filter Side B



# OPERATING INSTRUCTIONS

## BEFORE OPERATING THE AIR PURIFIER:

1. Select a firm, level and flat location for the air purifier.
  - \* For proper air flow, locate the unit at least 1 foot from any wall or furniture.
  - \* Make sure none of the grills are blocked.
2. Plug the power cord into a 110V AC outlet.

**IMPORTANT:** When moving the air purifier, always lift unit by the carrying handle located on back.



1. Turn unit power ON.



2. Select fan speed MODE 1 - 5  
**1 = low, ultra quiet sleep mode**  
**5 = high speed allergen control - Default setting is 5**



3. Select UV-C ON or OFF using UV-C Mode Button.



4. **TIMER:** If you prefer to run the purifier for a specific number of hours, you can select between 1 and 8 hours on the display.

**Filter Replacement Indicator:** The Replace HEPA light on the control panel will illuminate and flicker indicating that it is time to replace your filter. Replace the filter according to directions then press and hold the **Timer Set** button for 3 seconds to reset the system.

**UV Bulb Replacement Indicator:** The circular blue light on the front panel of the purifier will flicker when it's time to replace the bulb. Replace the bulb according to directions, then press and hold **UV Mode** button for 3 seconds to reset the system.

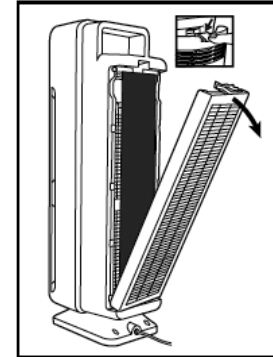
**Control Panel Beep/Sound:** The sound emitted from pressing the buttons on the control panel can be turned off/on by holding the **Speed** button for 3 seconds.

# FILTER REPLACEMENT

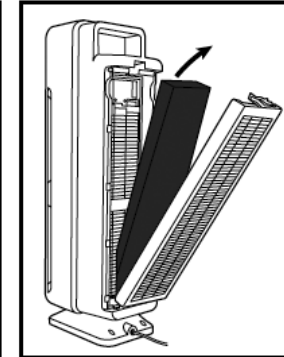


The Air Cleaner will beep for 30 seconds and the Replace HEPA light will flash continuously indicating that it is time to replace your filter. Replace the filter according to directions then restart the system. Depending on usage, filter will last approximately 6 months.

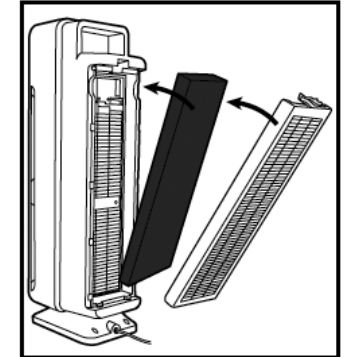
1. Turn off and unplug the unit.



2. Press the lock and release button and remove the rear cover from the unit.



3. Remove the used Combination Filter (Filter C) and dispose of it in the garbage.



4. Insert filter system into the unit. Consult the arrow on the filter for correct installation direction.

5. Reattach the rear cover of the unit and securely latch into place.

## CHECKING AND MAINTAINING FILTER

Maintain the filter by checking it frequently.

Depending on air quality conditions, you may need to replace it more frequently.

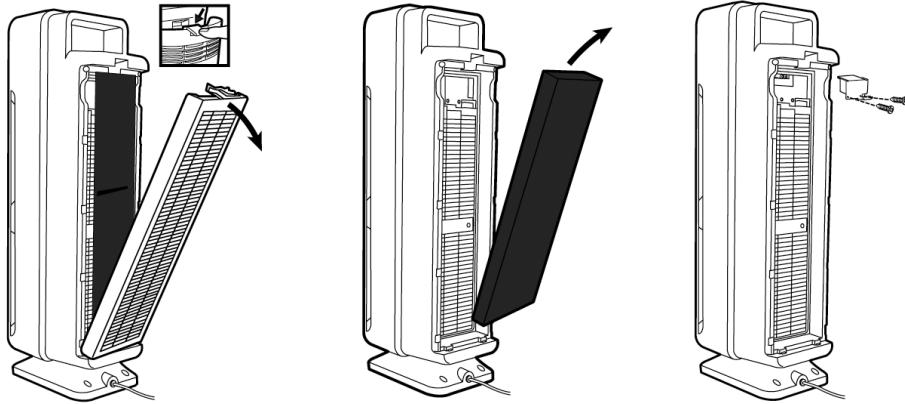
Vacuum the carbon filter layer as needed to remove loose debris and dust and to help prolong the life of your filter.

To check the status of the filter, peel back the carbon layer to expose the pleated filter. If the filter is no longer white and is covered in grey dust/dirt it should be replaced.

**IMPORTANT:** Do NOT try to wash and re-use the Combination Filter.

# INSTALLING & REMOVING UV-C BULB

**UV Bulb Replacement Indicator:** The UV light on the display will flash when its time to replace the UV bulb.

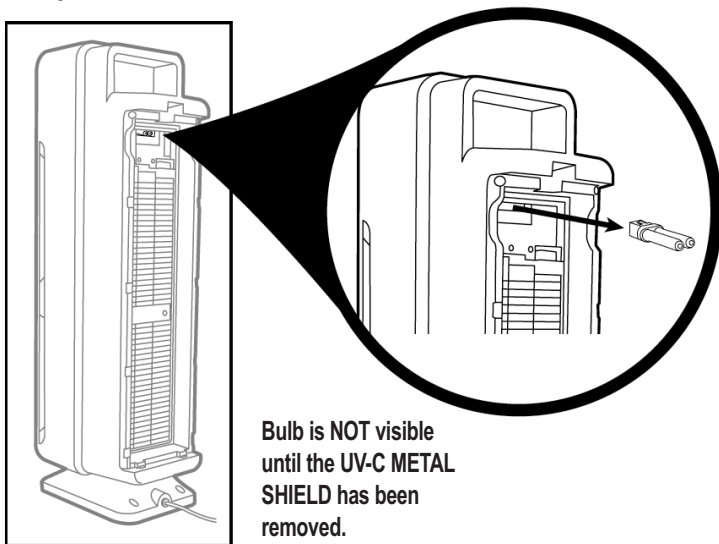


1. Turn off and unplug unit. Press the lock and release button and remove the rear cover from the unit.

2. Remove the combination filter.

3. Use a Philips head screwdriver to remove 2 screws and detach the UV-C Metal Shield.

4. The UV-C Bulb is removed by carefully grasping the bulb with a clean cloth or tissue and pulling the bulb straight out of the unit.



**Bulb is NOT visible until the UV-C METAL SHIELD has been removed.**

5. The UV-C Bulb is reinstalled by sliding it, horizontally, back into the slots at the top of the unit.

**NOTE:** Do NOT stick any foreign objects or your fingers inside of the unit.

**CAUTION:** Do NOT use gasoline, benzine, thinner, harsh cleaners, etc. on and/or in the unit while cleaning as they will damage the product.

**NEVER** use alcohol or other solvents.

## TROUBLESHOOTING GUIDE

PROBLEM	SOLUTION
Unit does not operate.	Check that the unit is plugged in. Check that filter is in place. Confirm that filter is Genuine Replacement Filter Call Customer Service.
Unit shuts off unexpectedly.	Check that unit is plugged into a working electrical outlet. Check that filter is firmly in place. Check that the Rear Cover is latched firmly in place. Call Customer Service.
No air circulating from unit.	Unplug unit. Check Pre-/Carbon and filters. Clean Pre-/Carbon Filter if necessary. Replace filter if necessary.
Increase in noise level.	Make sure the filters are clean. Replace if necessary.
Control buttons "beep" when pushed.	To shut off the "beeping" sound when buttons are pushed. 1. Press and hold the TIMER and UV buttons for 3 seconds. 2. Select ON/OFF. 'Beeping' will automatically be reset to ON when the unit is unplugged.
Red light is flashing.	Replace filter and reset system.
Blue ring on product is flashing.	Replace bulb and reset system.