

aiwa EB602RD 使用說明書

無線運動入耳式耳機

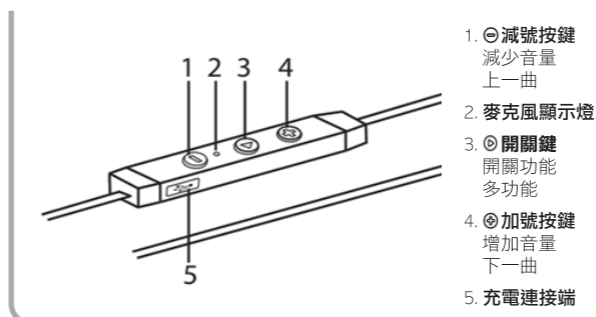


感謝您購買此款無線耳機。
我們建議您花一些時間閱讀本說明手冊，以便您充分瞭解其提供的所有操作功能。您還將找到一些提示和技巧來幫助您解決任何問題。
使用前請仔細閱讀所有安全說明，並保留本說明書以備將來參考。

- 安全警告**
為了交通安全，駕駛或騎車時不要使用耳機。
- 損壞及損失**
打開包裝後請檢查本機是否損壞與配件不齊全，若有上述情況請及時洽詢經銷商。
- 溫度**
避免溫度過高或過低的溫度，使設備遠離散熱器或燃氣/電火災等熱源避免暴露於陽光直射和其他熱源。
- 暴露火焰**
不要在設備頂部或附近放置任何類型的蠟燭或明火。
- 干擾**
請勿將設備放置在可能導致磁干擾的設備上或附近。如果這樣做，它可能會對設備的工作性能產生不利影響，並導致聲音失真。
- 溫馨提醒**
長時間聽大聲的聲音可能永久性地損害您的聽力。在戴上耳機之前，請先將音量調低，然後放入耳機，再緩慢增加音量，直到達到舒適的聽音水準。

- 1 -

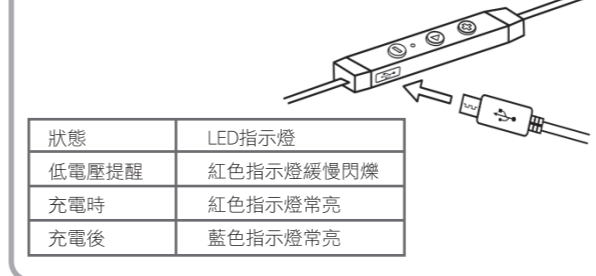
產品指示圖



1. 減號按鍵
減少音量
上一曲
2. 麥克風顯示燈
3. 開關鍵
開關功能
多功能
4. 加號按鍵
增加音量
下一曲
5. 充電連接端

充電

首次使用本機時，請先充分充電。
首先將USB充電線連接上耳機，再將USB充電頭另一端連接到電源USB設備上。



狀態	LED指示燈
低電壓提醒	紅色指示燈緩慢閃爍
充電時	紅色指示燈常亮
充電後	藍色指示燈常亮

- 2 -

開關機

開機：請長按開關鍵約3秒到藍燈常亮，並同時聽到“Power on”語音提示，如果耳機之前已成功的配對過，耳機將自動連接上同時在配對模式下已連接設備。

關機：請長按開關鍵約4秒紅燈熄滅，並同時聽到“Power off”語音提示，自動關機功能：如在5分鐘內無藍牙設備連接，耳機會自動關機。

藍牙配對

首先確保耳機是關機狀態，長按耳機開關鍵6-8秒進入藍牙配對狀態，紅燈和藍燈開始快速交替的閃爍。
開啟藍牙設備上藍牙功能並開始搜索，選擇 aiwa EB602RD。進入配對模式後，會聽到“pairing”語音提示。藍牙設備配對成功後，會聽到語音提示 Connected。

配對到電腦和娛樂

1. 如果您的電腦不支持藍牙功能，那麼一個藍牙適配器是必要的。在您的電腦上安裝一個適配器，並確保適配器的藍牙功能已經啟動。
2. 打開設備進入配對模式。
3. 打開安裝在您的電腦上的藍牙軟體，並選擇搜索您的藍牙裝置的功能。請在藍牙軟體的使用說明書上參閱詳細資訊。
4. 幾秒鐘後，藍牙裝置的名稱會被列出來，選擇藍牙裝置的標誌並點擊滑鼠右鍵選擇配對，然後選擇與音訊裝置進行連接。
5. 打開您的媒體播放機播放音樂、看電視/電影、玩遊戲，您可以從裝置上聽到各種聲音或音樂。

- 3 -

操作	具體細節
調大音量	短按“+”鍵，調到最大音量有“嗶”一下提示音
降低音量	短按“-”鍵
接聽/掛斷	短按開關鍵▷
拒接	按開關鍵▷二秒
末位電話重播	按兩下開關鍵▷ (最後一通電話號碼)
播放/暫停鍵	短按開關鍵▷
下一曲按鍵	長按“-”按鍵
上一曲按鍵	長按“+”按鍵

恢復出廠設置

當耳機工作狀態出現異常，插上USB線，進行充電5秒左右會進入出廠設置的狀態。

操作詳情

播放音樂時，有電話撥入，音樂會自動暫停，通話結束後音樂自動播放。

- 4 -

產品基本規格和參數

型號	EB602RD
靈敏度	83dB±3dB
額定功率	3mW
頻響範圍	20Hz - 12,000Hz
藍牙版本	4.1
藍牙協議	A2DP, AVRCP, HFP, HSP
藍牙距離	10m
電池型號	鋰電池 60mahx2
續航時間	6小時
充電時間	2小時
失真度	0.1%&1mW
重量	17g

開箱前，請從包裝中取出所有配件，保留包裝。
如果你要丟棄包裝，請按照當地法規處理。

主要配件
無線耳機 USB充電線 大小尺寸矽膠耳帽 產品說明書

- 5 -

廢棄電器處理

1. 本產品壽命結束時不應與其它家庭廢棄物一起處理。
2. 請與本產品的零售商或當地相關機構聯繫，瞭解家庭使用者對電子產品環保回收條例，進行適當的回收。
3. 企業用戶應與其供應商聯繫並檢查採購合同的條款和條件，本產品不應與其他商業廢品混在一起處理。

常見問題FAQ

- 問：為什麼不能開啟耳機？
答：使用之前首先確認您的裝置是滿電的狀態。如果電池在低電量狀態，您的裝置不能打開。
- 問：當播放時怎麼沒有聲音？
答：請檢查您的手機或電腦與裝置之間的連接，如果連接斷了請再次連接並調節音量到合適的大小。
- 問：為什麼手機或電腦找不到這個裝置？
答：請檢查您的手機或電腦的藍牙是“可見的”，如果配對超時，配對模式將會退出，請重新進入配對模式。如果你的手機應用程式中有一些問題，請重新啟動手機；如果您的設備有問題，請重啟設備。

- 6 -

aiwa EB602RD User Manual

In-earphone



Introduction

Thank you for purchasing the wireless earphone aiwa EB602RD. The earphone provides light-weight rich sound, wraps around the ear for increased stability that are ideals for the sport user. The feature friendly buttons design that makes it easy to operate the play, stop and skip audio functions and answer a call with hands-free. Built-in rechargeable battery provides more music playing and standby time.

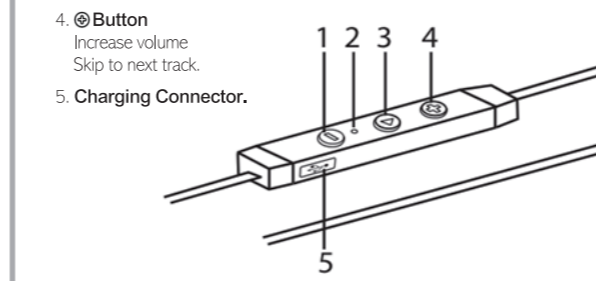
Note

- ★ Please read the user's manual carefully before using, and keep it properly for future reference.
- ★ There will be a prompt tone when the volume reaches the maximum level.
- ★ You can only pair and connect one device every time. To switch Bluetooth device, disconnect the earphone from the current device (disable the Bluetooth feature) before connecting to another.

- 1 -

Product Indicator

1. On/Off Button
Decrease volume
Skip to previous track.
2. Microphone indicate light
3. On / Off on/off function.
Multifunction.
4. On/Off Button
Increase volume
Skip to next track.
5. Charging Connector.



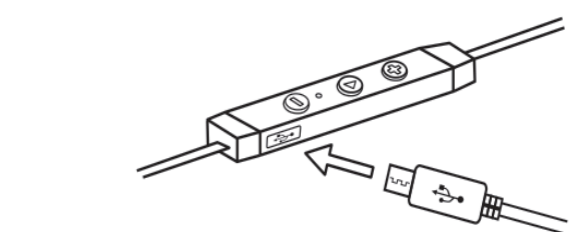
- 2 -

Charging the Battery

Open the plastic plug of USB connector. Connect the micro USB charging cable to any power source and the USB connector of your earphone for charging. The earphone LED turns to solid red during charging. It takes about 2 hours for the charge. When the battery is fully charged, the LED turns to blue.

Note

It is strongly recommended fully charging for the first use.



Status	Description
Flashing Blue	Power on/Standby
No Light	Power off
Solid Red	Charging
Fast Flashing Blue	Searching Device
Blue and Red Alternately	Pairing mode
Flashing Red	Low battery

- 3 -

Pairing with Bluetooth Devices

- Pairing the earphone with a computer
Before pairing the earphone with your computer, please make sure your computer or laptop has the built-in Bluetooth feature. If not, you must purchase a Bluetooth dongle, preferably version 2.1 or above.
1. Make sure the earphone is off.
 2. Start the Bluetooth program in the computer.
 3. The "Search new device" screen will be displayed.
 4. Do not place both devices more than one meter away from each other.
 5. Press the function button for 3 seconds you will hear "Power On" keep press 6-8 seconds until the LED flashes blue and red alternately to enter the pairing mode. You will hear "Pairing".
 6. As soon as the system detects the new device and select aiwa EB602RD.
 7. If your computer ask you to enter the PIN code, please enter 0000 (4 zero). Once successfully paired, the blue LED is always on. You will hear "Connected".

Pairing the earphone with a phone

1. Make sure the earphone is off.
2. Do not place both devices more than one meter away from each other.
3. Press the function button for 3 seconds you will hear "Power On" keep press 6-8 seconds until the LED flashes blue and red alternately to enter the pairing mode. You will hear "Pairing".
4. Start Bluetooth function on your phone and search for new devices.
5. Select the "aiwa EB602RD" to pair. Once successfully paired, the blue LED is always on. You will hear "Connected".

Note

The earphone will power off if not paired within 5 minutes.

- 4 -

Control Instructions

Function	Operation
Power on	Press and hold the multi-function button 3 seconds. And the LED flashes blue 0.5 seconds and sounds "Power on". Then flashes blue for standby.
Power off	Press and hold the function button 4 seconds. And the LED flashes red for 2 seconds and sounds "Power off".
Increase volume	Press the volume up (+) button.
Decrease volume	Press the volume down (-) button.
Answer a call	Press the function button to answer the call.
Reject a call	Press and hold the function button for 2 seconds Press the function button during on-line call.
End a call	Double click the function button during standby or playing music mode.
Play media	Press the function button
Pause/restart media playback	Press the function button
Skip to next track	Press and hold next track (+) button.
Skip to previous track	Press and hold previous track (-) button.
Pairing mode	Press and hold the function button to enter pairing mode after sounding power on. (LED flashes blue and red alternately when entering the pairing mode.)

- 5 -

Specifications

Item NO.	EB602RD
sensitivity	83dB±3dB
power rating	3mW
Frequency Response	20Hz - 12,000Hz
Bluetooth version	4.1
Bluetooth protocol	A2DP, AVRCP, HFP, HSP
Bluetooth distance	10 Meters.
Battery model	Lithium batter 60mahx2
Play time	6 Hours.
Charge time	2 Hours.
Distortion	0.1%&1mW
Net weight	17g

Package Contents

Wireless earphone EB602RD x 1
Ear tips x 2 sets
EVA pouch x 1
User's manual x 1
Micro USB charging cable x 1

- 6 -

Troubleshooting

- Q: The earphone cannot be powered on.
A: The battery may be flat. Please recharge the battery and try again.
- Q: Why doesn't the earphone pair with the mobile phone?
A: Please check the followings.
1. Check that the earphone is charged and is in pairing mode.
2. Make sure that the mobile phone's Bluetooth function is on.
3. Make sure that the two devices are in the effective pairing range. (10 meters)
4. Make sure that there is no obstacle between the earphone and the mobile phone, such as electronic equipment and a wall.
5. Furthermore, you can try restarting the earphone and pairing it with the mobile phone again.
- Q: There is some noise.
A: Bluetooth is a radio technology, so it is sensitive to obstacles between the earphone and the pairing device.
Please make sure that there is no obstacle between the two devices and is within the range. (10 meters)
- Q: I can't hear sound.
A: Please check the followings.
1. Try increase the volume.
2. Make sure that the Bluetooth function is on and whether the two devices are connecting and in the range. (10 meters)
3. Make sure the earphones are close enough to your device, and there is no obstacle between them.
- Q: My mobile phone or computer cannot find the earphone.
A: Please check that the earphone is in pairing mode. Pairing with Bluetooth devices. Sometimes when the earphone is connected to too many Bluetooth devices, it cannot search and pair effectively. Or your mobile phone and computer are already connected to many other devices. Try removing some connections before searching the earphone.

- 7 -